

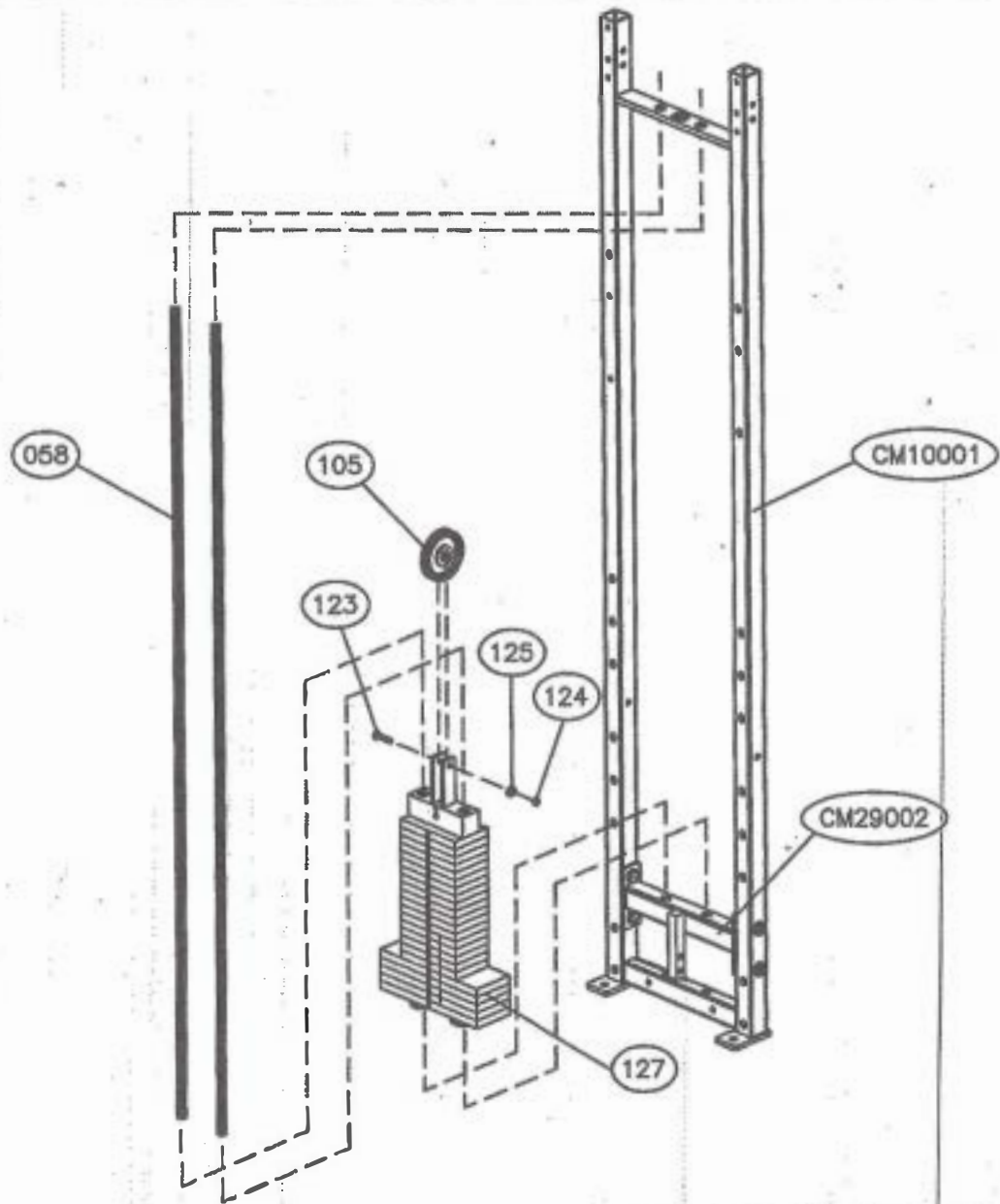
CM292 CIRCUIT MASTER CABLE CROSS OVER

2 OF 10

DWG BY: TAS	REV BY: JRS
DWG DATE: 08-13-97	REV DATE: 05-27-98
APP BY: FPN	APP BY: FPN

BODYMASTERS

REVISION NUMBER:
1

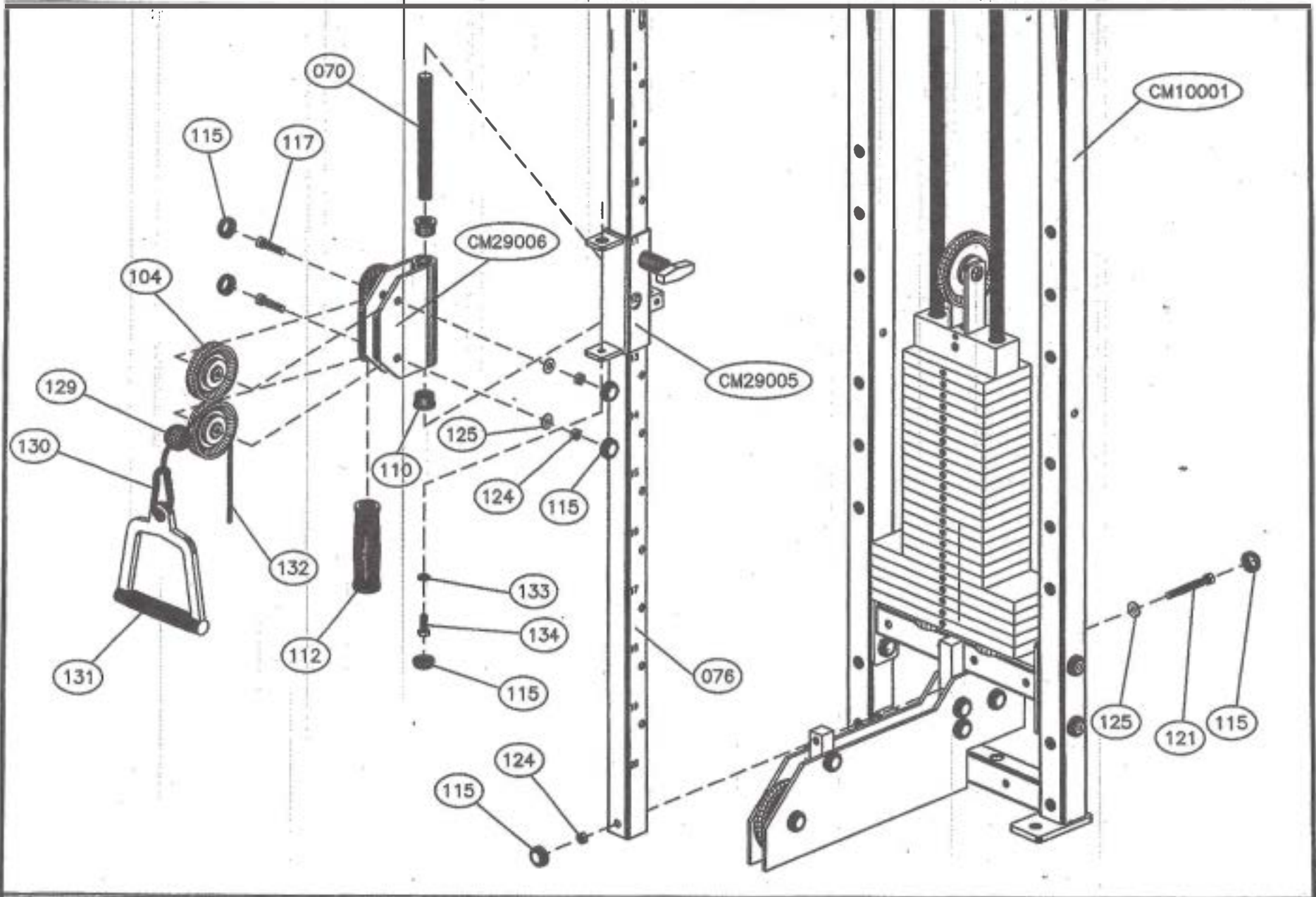


CM292 CIRCUIT MASTER CABLE CROSS OVER

DWG BY: TAS	REV BY:
DWG DATE: 08-13-97	REV DATE: --
APP BY: ZFL	APP BY: .



REVISION NUMBER:

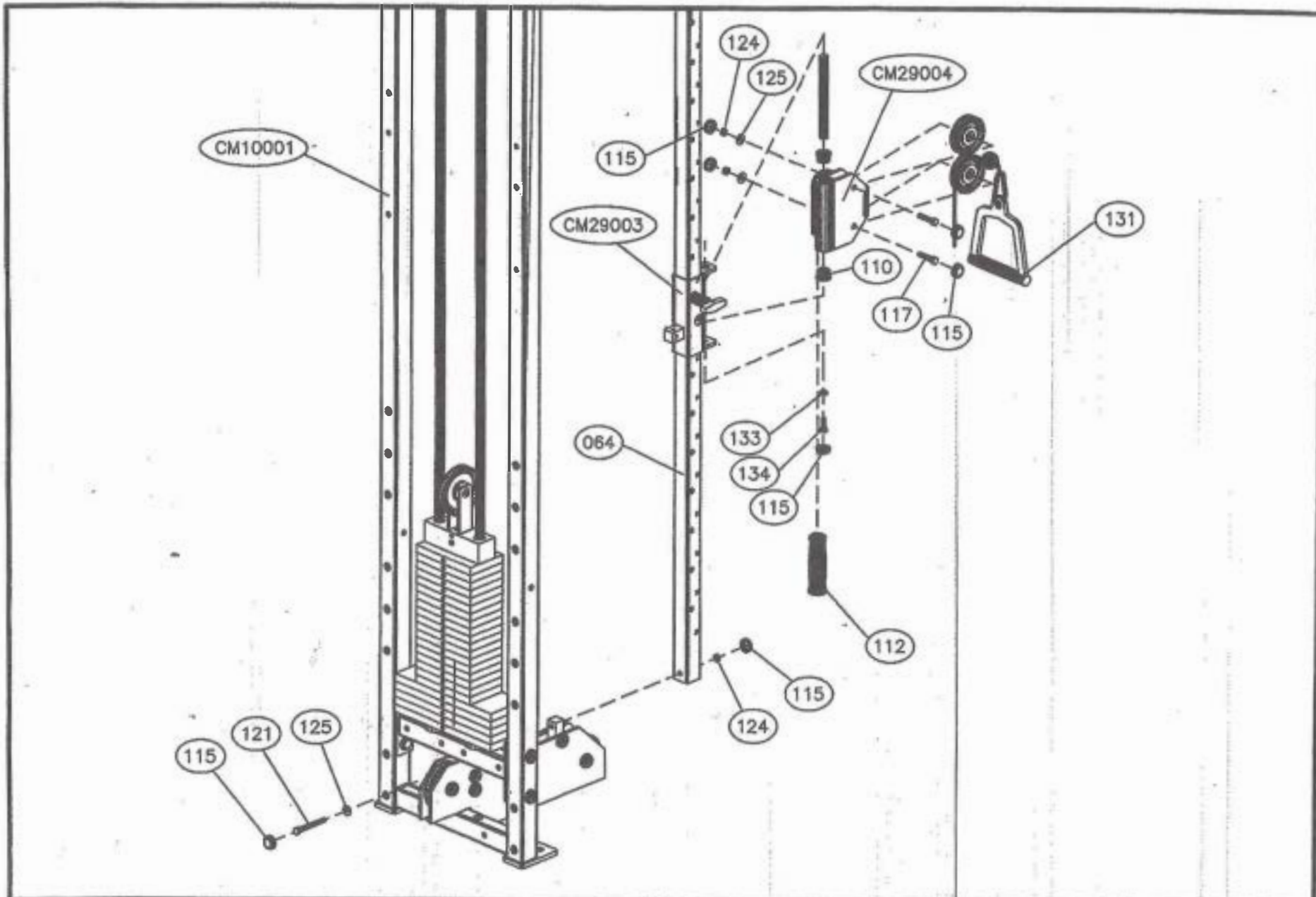


CM292 CIRCUIT MASTER CABLE CROSS OVER

DWG BY: TAS	REV BY:
DWG DATE: 08-13-97	REV DATE: - -
APP BY: LFL	APP BY:

BODY MASTERS

REVISION NUMBER:

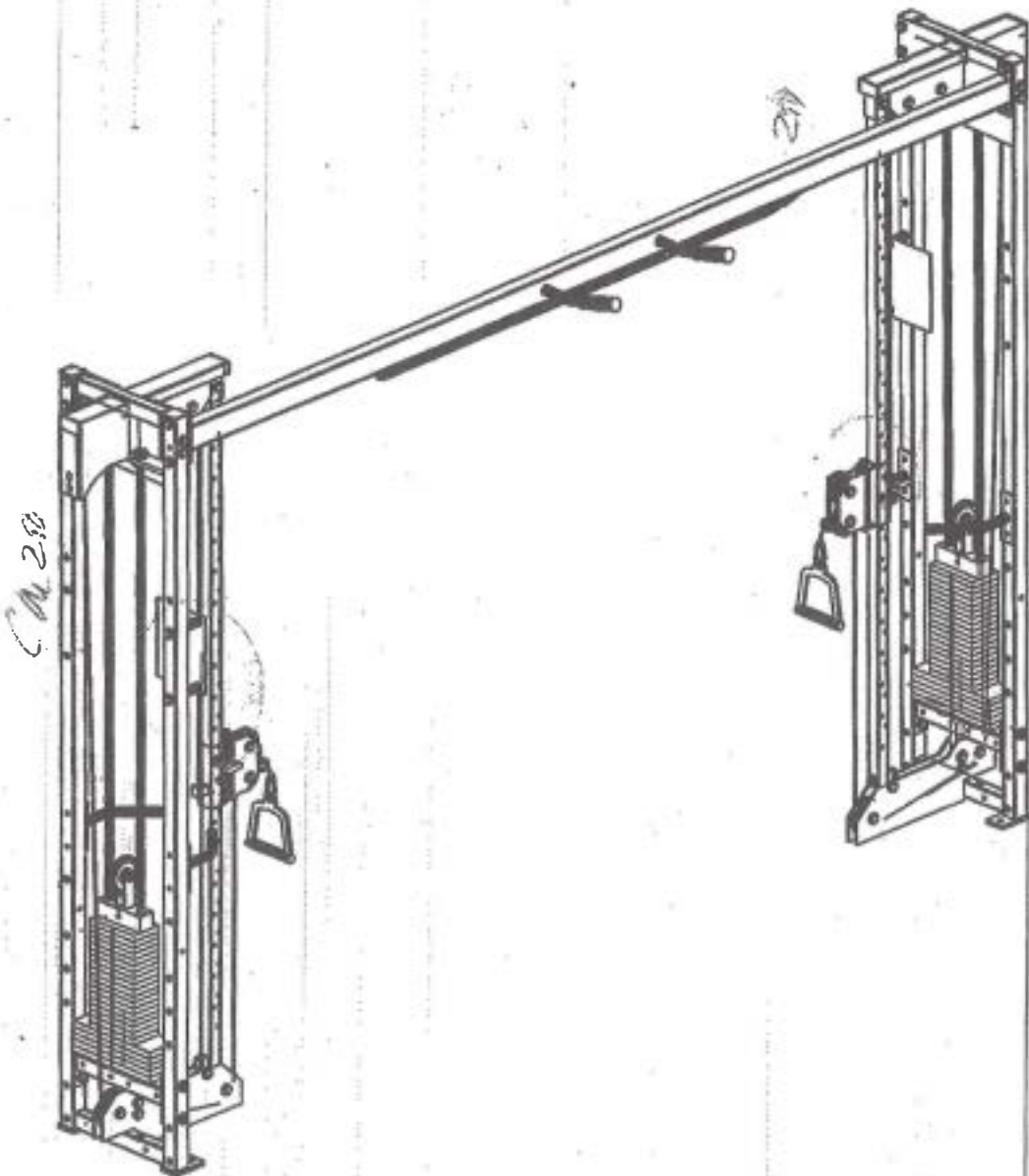


CM292 CIRCUIT MASTER CABLE CROSS OVER

DWG BY: TAS	REV BY:
DWG DATE: 08-13-97	REV DATE: - -
APP BY: LFL	APP BY: .

BODYMASTERS

REVISION NUMBER:



CM292 CABLE CROSS OVER

DWG BY: LFL	REV BY: JRS
DWG DATE: 05-28-97	REV DATE: 05-27-98
APP BY: <i>FW</i>	APP BY: <i>FW</i>

BODYMASTERS

REVISION NUMBER:
2